

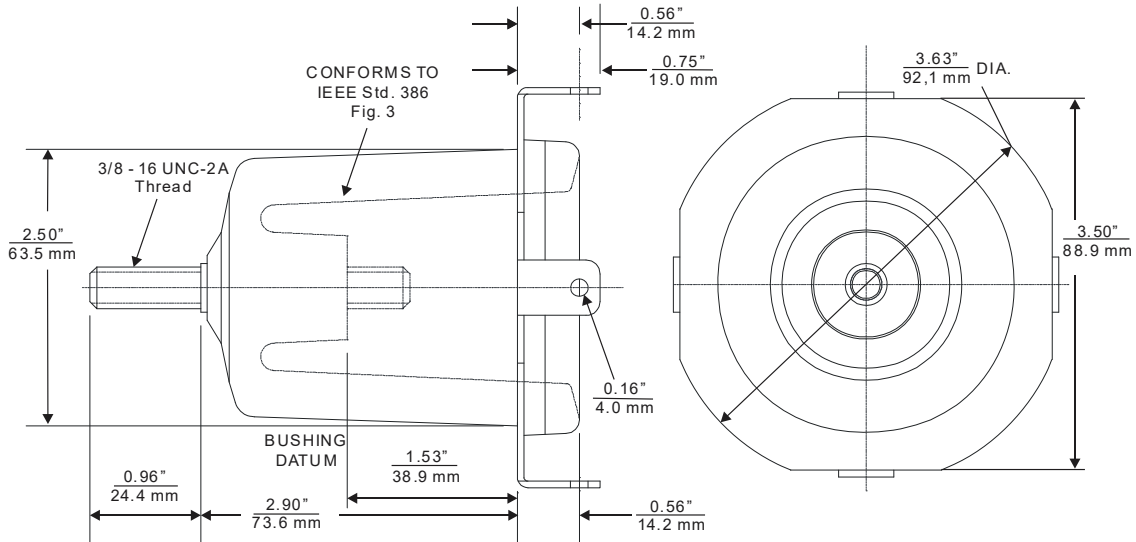


SPECIFICATION SHEET

Description

25/28kV Class 200 Amp Short Shank Bushing Well with Bail Tabs

Product Series

BWST**BWST : with permanent stud****BWSTR : with replaceable stud**

Application:

CableMate BWST series bushing wells are designed for the termination of primary winding leads of oil-filled and SF6 insulated apparatus including single and three-phase pad-mounted transformers, vault-type transformers, submersible transformers and switchgear rated up to 16.2/28 kV at 200 amps and will universally accept all bushing inserts that conform to IEEE 386 standard Figure 3.

Design:

CableMate BWST bushing wells have a shank length of 2.75" (70 mm) for side-mount installations. They are molded of epoxy with a stainless-steel flange for welding to the apparatus. A conductive rubber shield at the mating surface with connecting devices provides a fully-shielded, cable-to-apparatus connection. Four (4) tabs are provided to accept hold down bails from various types of cable connectors. A removable stud option is available for easy field replacement of the bushing stud in the event of damage or breakage by specifying "R" at the end of catalog number.

Ratings	
Description	Rating
Standard Voltage Class	25/28 kV
Maximum Rated Voltage Phase-to-Phase	28 kV
Maximum Operating Voltage Phase-to-Ground	16.2 kV
BIL and Full Wave Crest (1.2 x 50 μs wave)	125 kV
60Hz AC One Minute Withstand (rms)	60 kV
DC 15 Minute Withstand	78 kV
AC Corona Extinction @ 3p.C.sensitivity	25.8 kV
Continuous Current (rms)	200 A
Short Time Current Rating at 0.17 s (rms)	12.5kA sym

Ordering Instruction:

To order 25/28kV short shank bushing well with bail tabs, specify: **BWST**

To order 25/28kV short shank bushing well with bail tabs and replaceable stud specify: **BWSTR**